

4

3

2

1

D

D

C

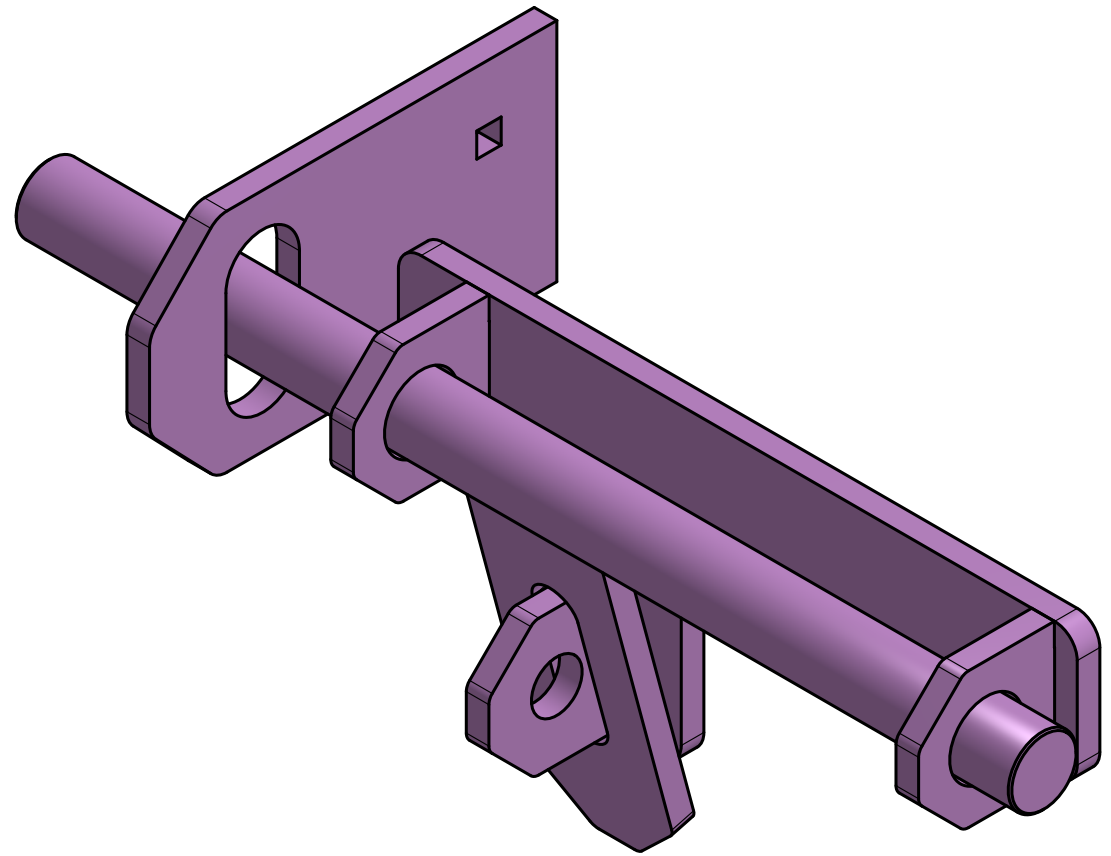
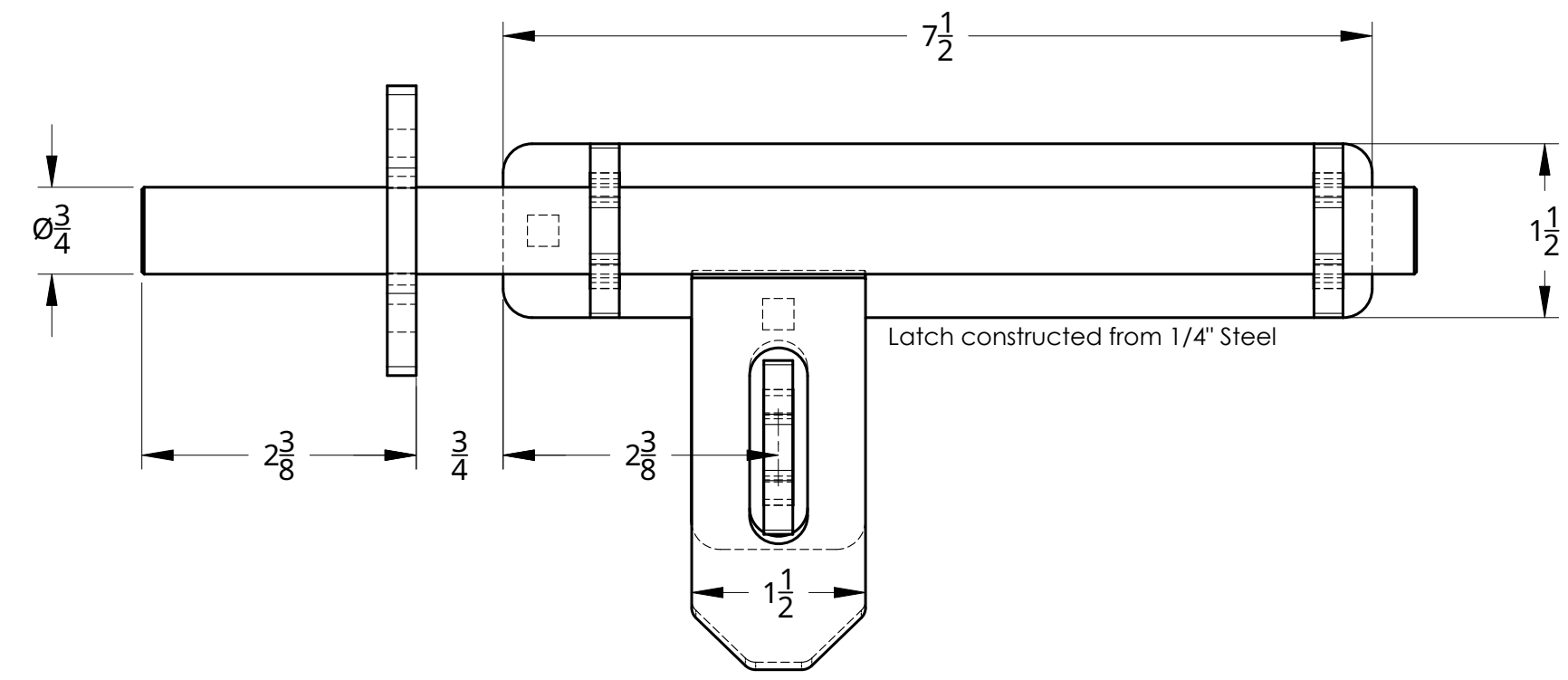
C

B

B


A

A



Attachment:

- Weld On
- $\frac{1}{4}$ " self drilling sheet metal screws
- $\frac{1}{4}$ " Carriage Bolts
- Pad lock hole will accept up to a $\frac{7}{16}$ " \varnothing shackle

 US ENCLOSURES 17205 Eucalyptus St. Suite A-1 Hesperia, CA 92345 (760) 701-1941	NAME	DATE	ITEM	
	DRAWN			Slide Latch Spec Sheet
	CHECKED			CUSTOMER
	APPROVED			
			LOCATION	
			REVISION	
			SHEET	

4

3

2

1