

4

3

2

1

D

D

C

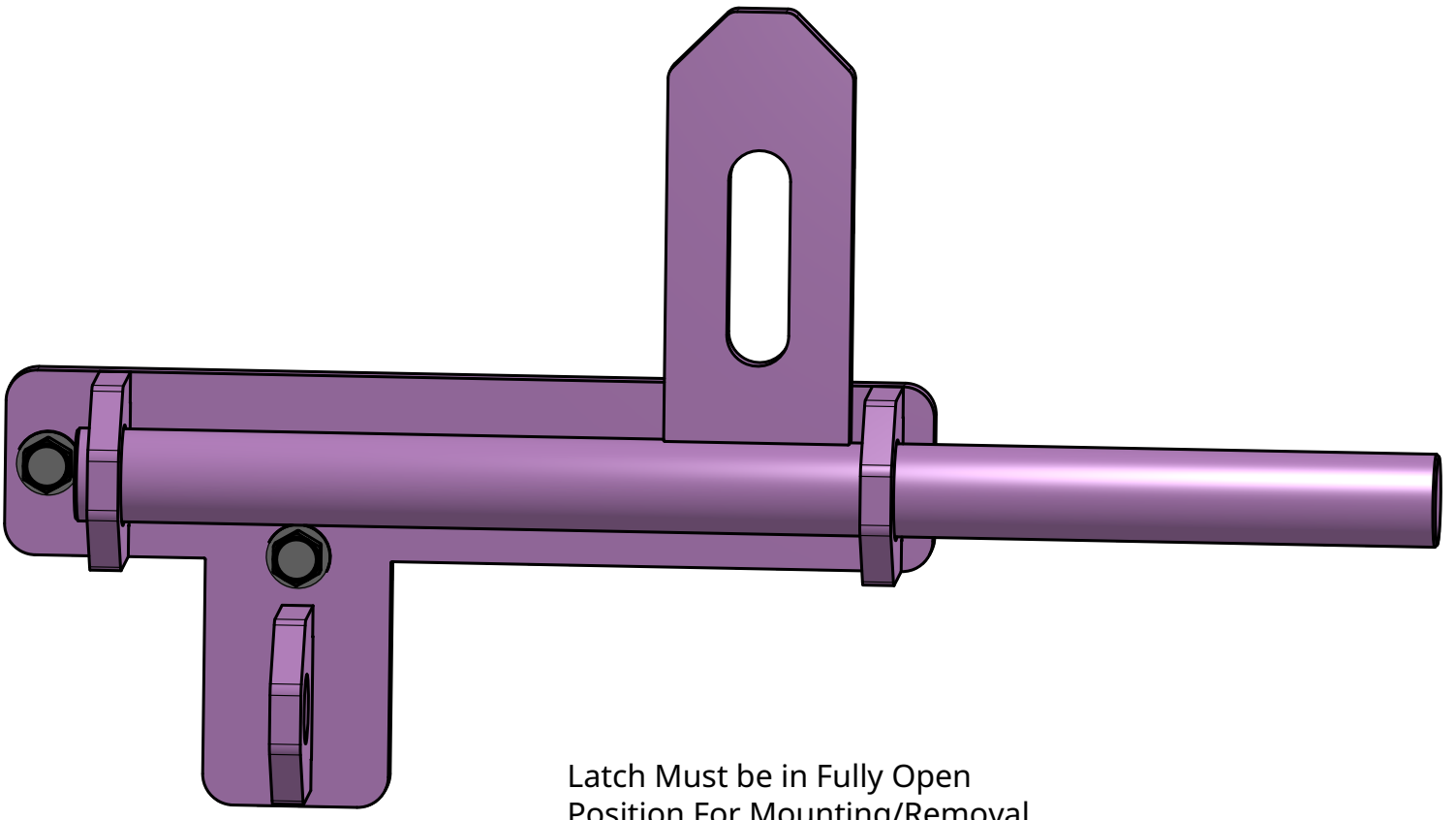
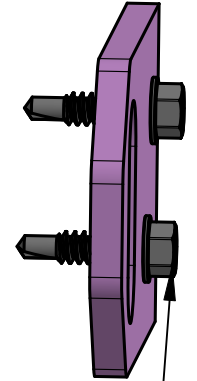
C

B

B

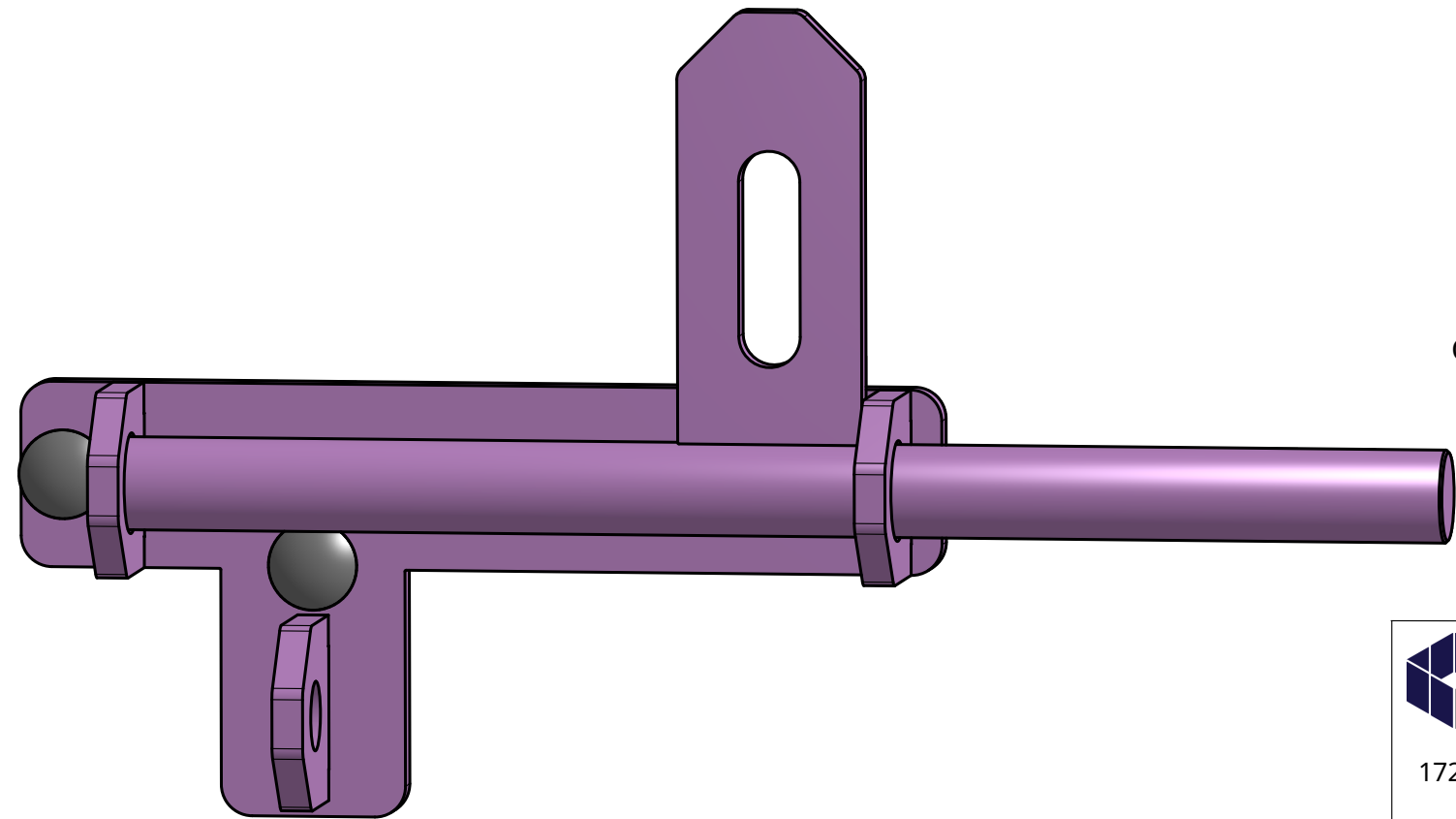
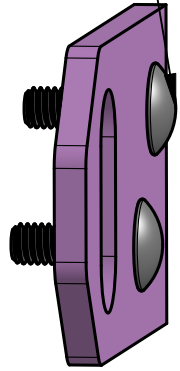
A

A

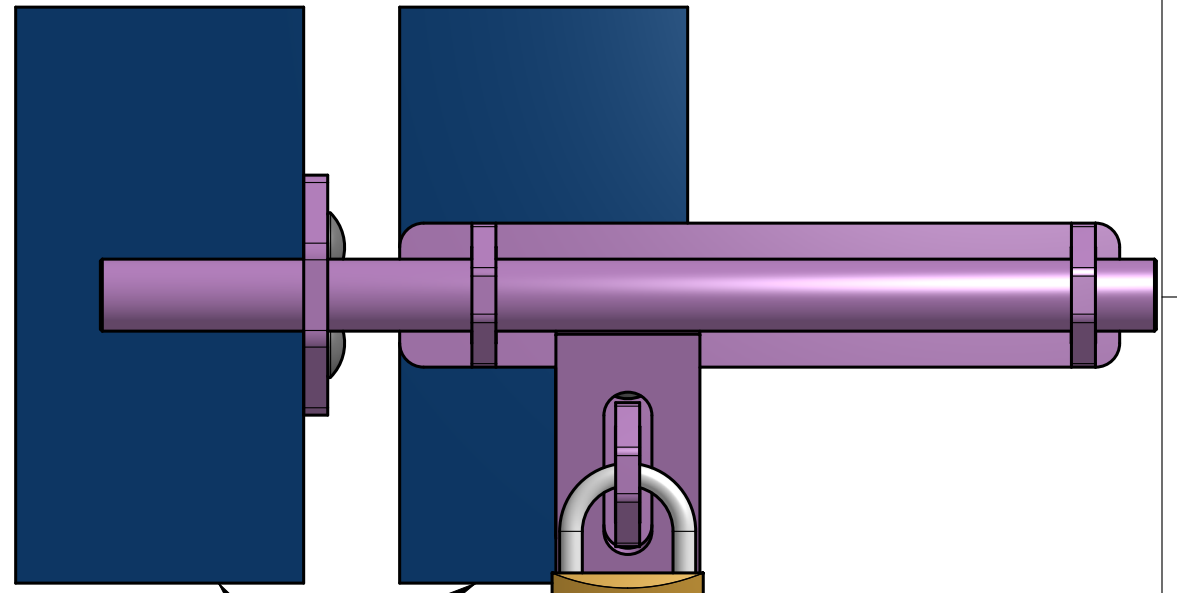


Latch Must be in Fully Open Position For Mounting/Removal

1/4" Self Driller  
or  
1/4" Carriage Bolt




Hardware is Secure in Locked Position



Gate Frames/Post

Lock NOT Supplied

 <p>US ENCLOSURES 17205 Eucalyptus St. Suite A-1 Hesperia, CA 92345 (760) 701-1941</p>	NAME	DATE	ITEM	
	DRAWN			Slide Latch Instruction Sheet (Mounting Details)
	CHECKED			CUSTOMER
	APPROVED			
				LOCATION
			REVISION	
			SHEET	

4

3

2

1