

4

3

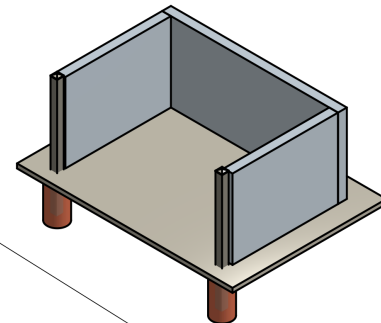
2

1

Check "post tops" to see if they are level:

Left post is HIGH or LOW by ____"

circle one "High" or "Low" and fill in the difference



D

D

C

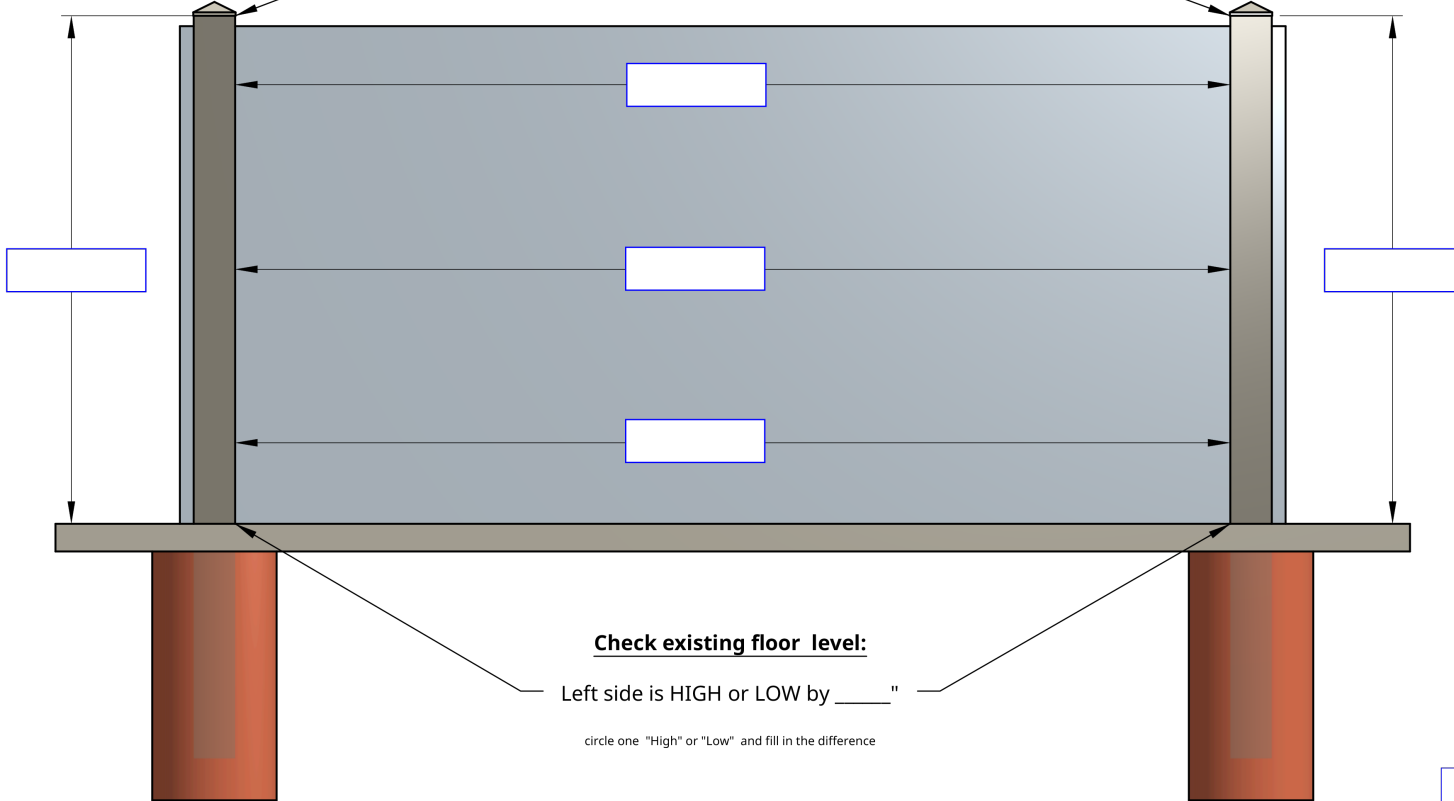
C

B

B

A

A



Check existing floor level:

Left side is HIGH or LOW by ____"

circle one "High" or "Low" and fill in the difference

MEASURED BY: _____
DATE: _____

 **US ENCLOSURES**
17205 Eucalyptus St.
Suite A-1
Hesperia, CA 92345
1-760-701-1941

| | NAME | DATE | ITEM |
|----------|------|------|--------------------------------------|
| DRAWN | | | Final Field Measurements Form - Post |
| CHECKED | | | CUSTOMER |
| APPROVED | | | |
| | | | LOCATION |
| | | | REVISION |
| | | | SHEET |

4

3

2

1