

4

3

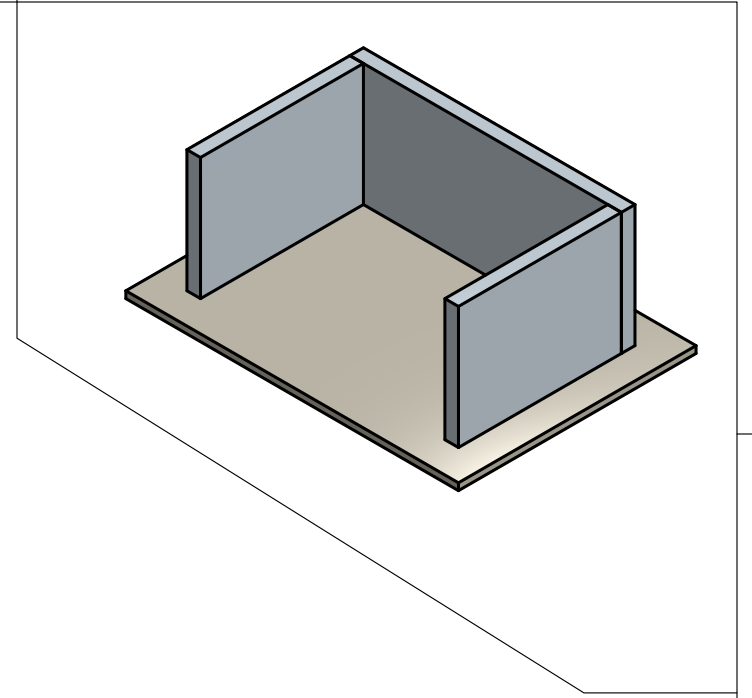
2

1

Check "wall tops" to see if they are level:

Left post is HIGH or LOW by ____"

circle one "High" or "Low" and fill in the difference



D

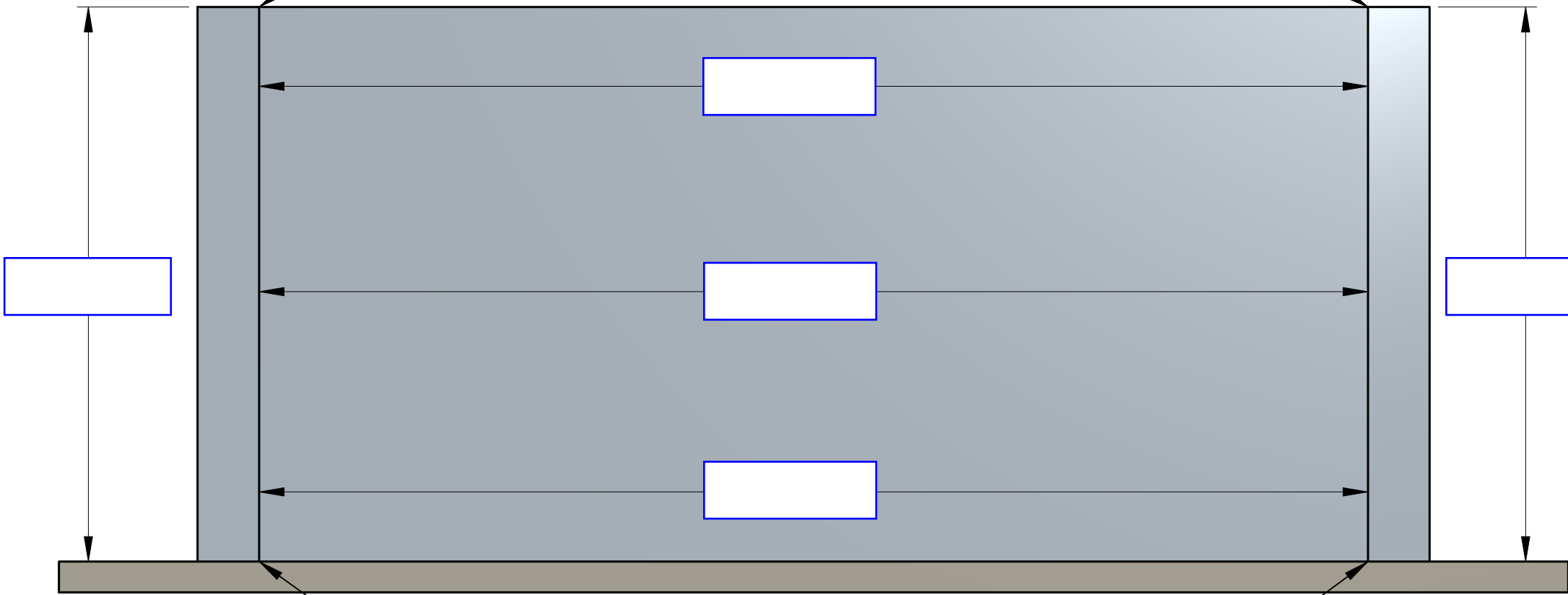
D

C

C

B

B



Check existing floor level:


Left side is HIGH or LOW by ____"

circle one "High" or "Low" and fill in the difference

MEASURED BY: _____
DATE: _____

A

A

 <p>US ENCLOSURES 17205 Eucalyptus St. Suite A-1 Hesperia, CA 92345 1-760-701-1941</p>	NAME	DATE	ITEM
	DRAWN		Final Field Measurement Form - Walls
	CHECKED		CUSTOMER
	APPROVED		
			LOCATION
			REVISION
			SHEET

4

3

2

1