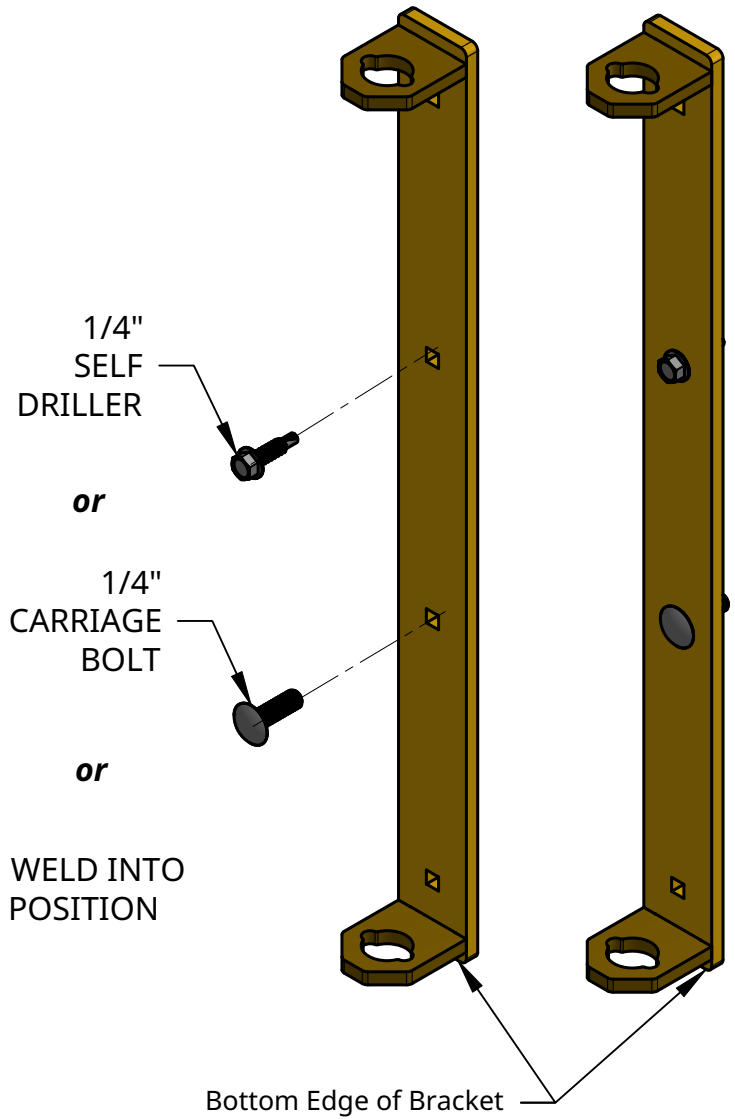
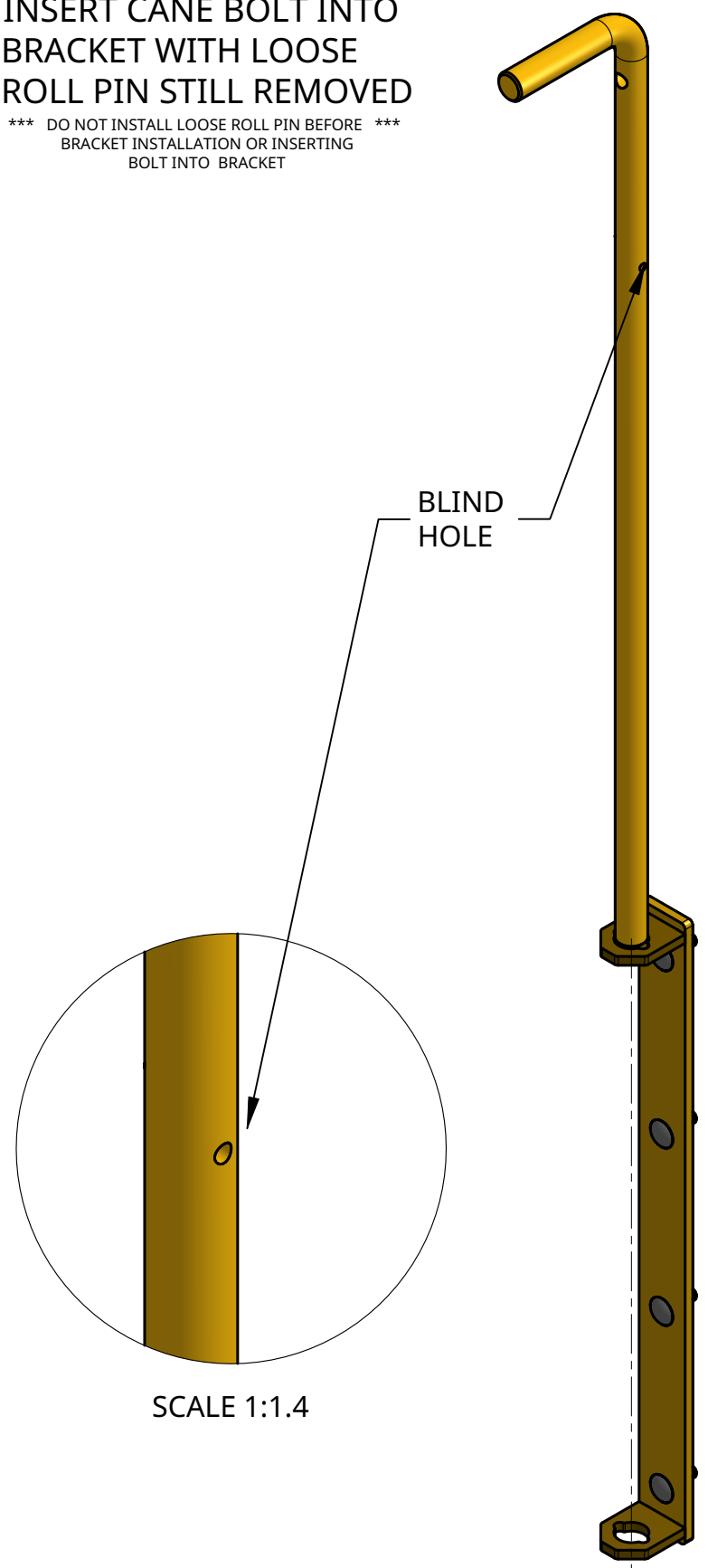


STEP 1:
MOUNT BRACKET TO GATE
 (YOUR SUPPLIED MOUNTING HARDWARE OR WELD)

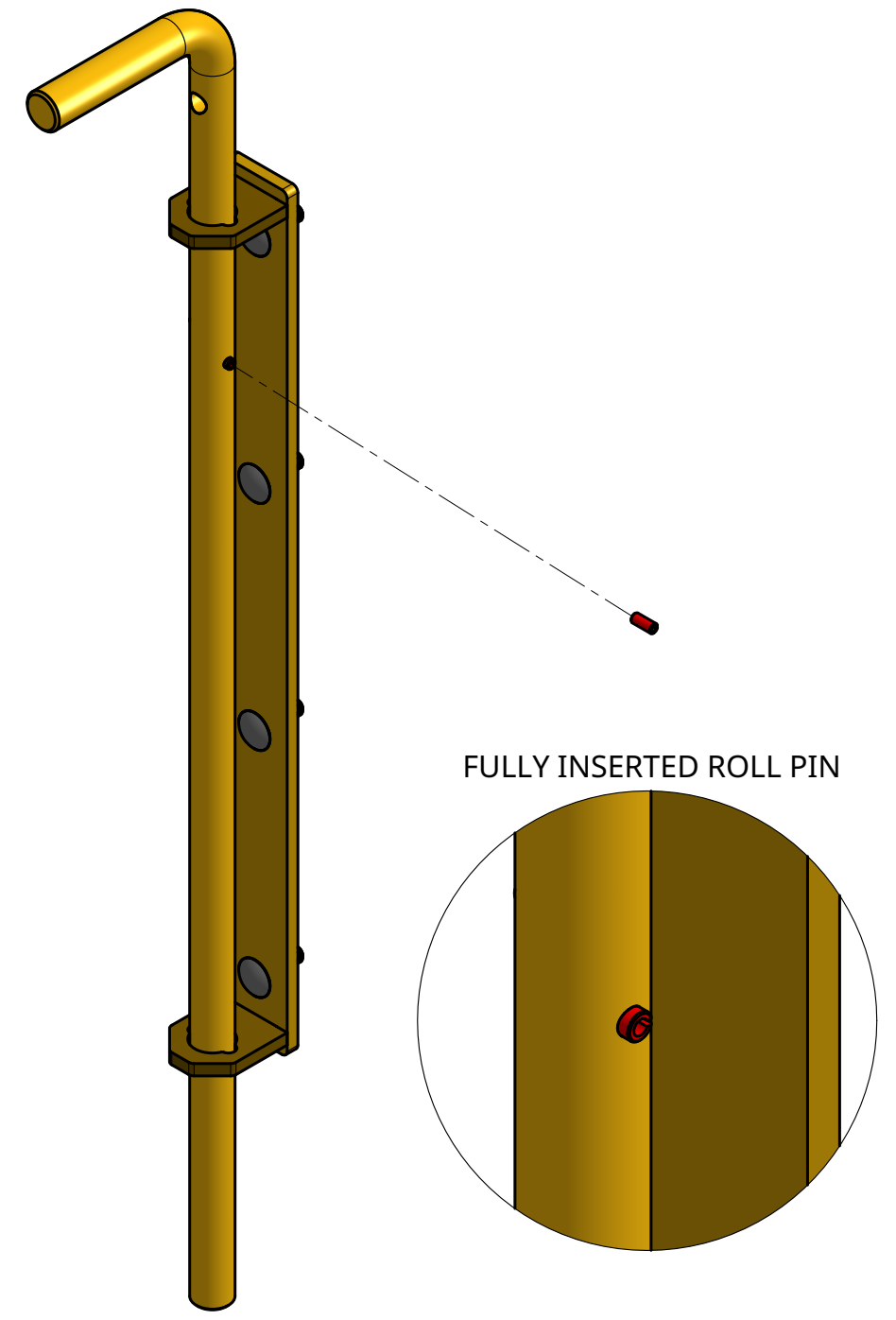


Mounting Location Note: Place the bottom edge of the bracket @ 2½" up from bottom of gate. This will keep the bottom of the cane bolt flush with the bottom of the gate once step three is completed

STEP 2:
INSERT CANE BOLT INTO BRACKET WITH LOOSE ROLL PIN STILL REMOVED
 *** DO NOT INSTALL LOOSE ROLL PIN BEFORE BRACKET INSTALLATION OR INSERTING BOLT INTO BRACKET ***



STEP 3:
ONCE CANE BOLT HAS BEEN INSERTED INTO BRACKET, HAMMER IN LOOSE ROLL PIN UNTIL IT STOPS.



17205 Eucalyptus St. A-1
 Hesperia, CA 92345
 (760) 701-1941