

4

3

2

1

D

D

C

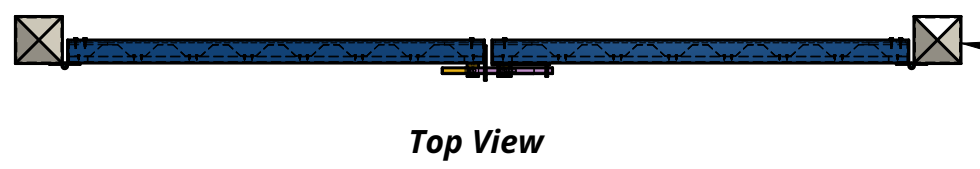
C

B

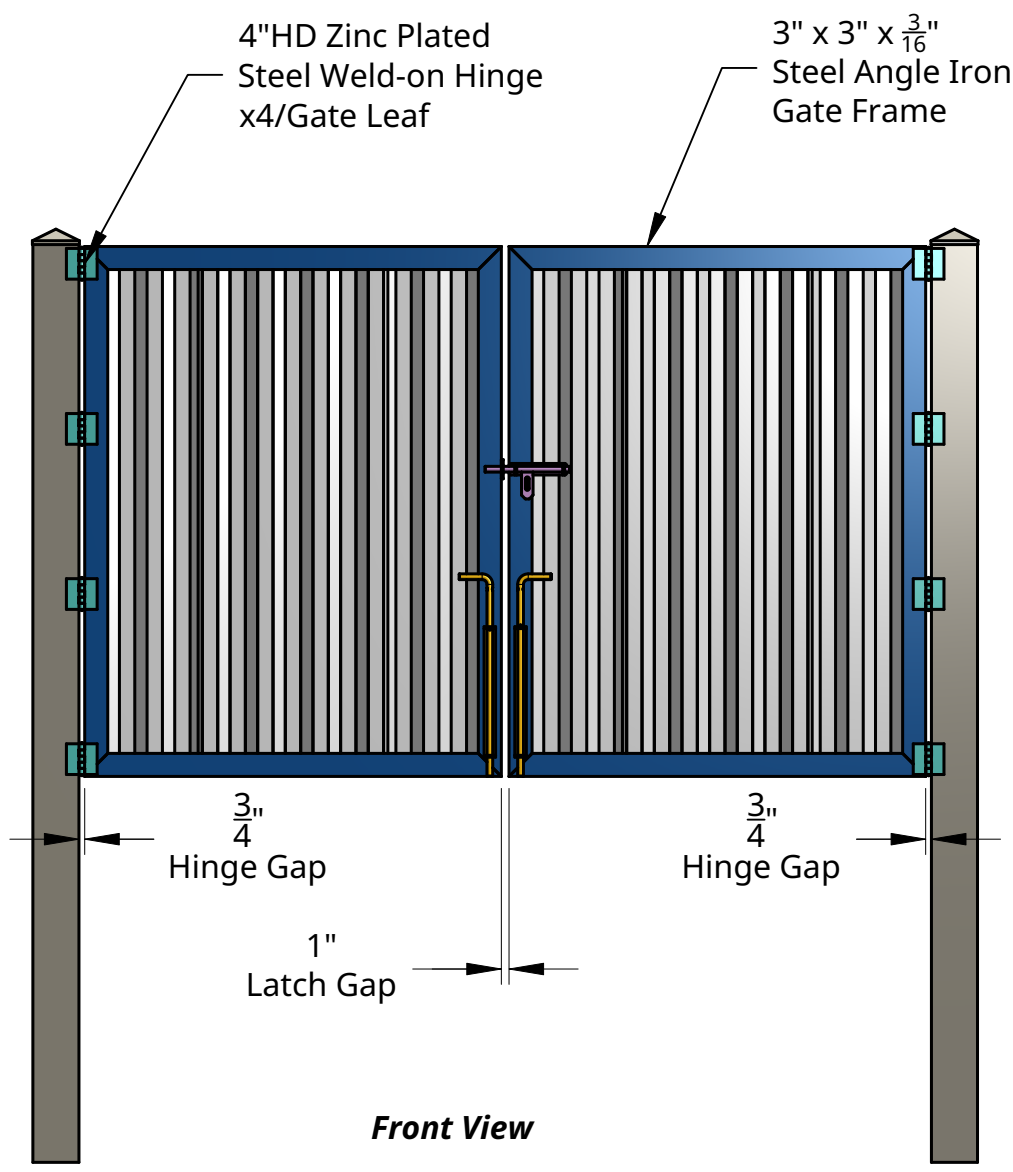
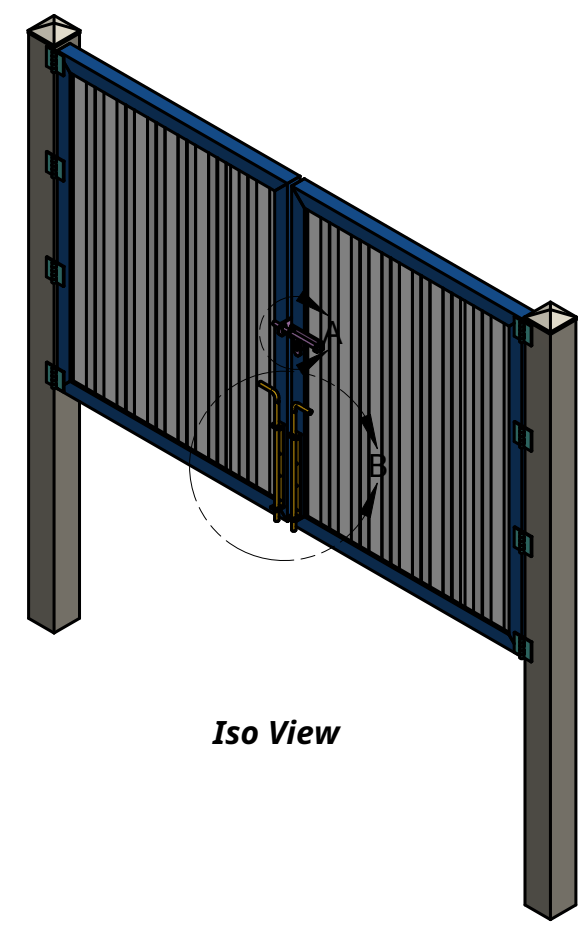
B

A

A



6" Square x $\frac{3}{16}$ " Post
36"-48" Concrete
Embedment (TYP)



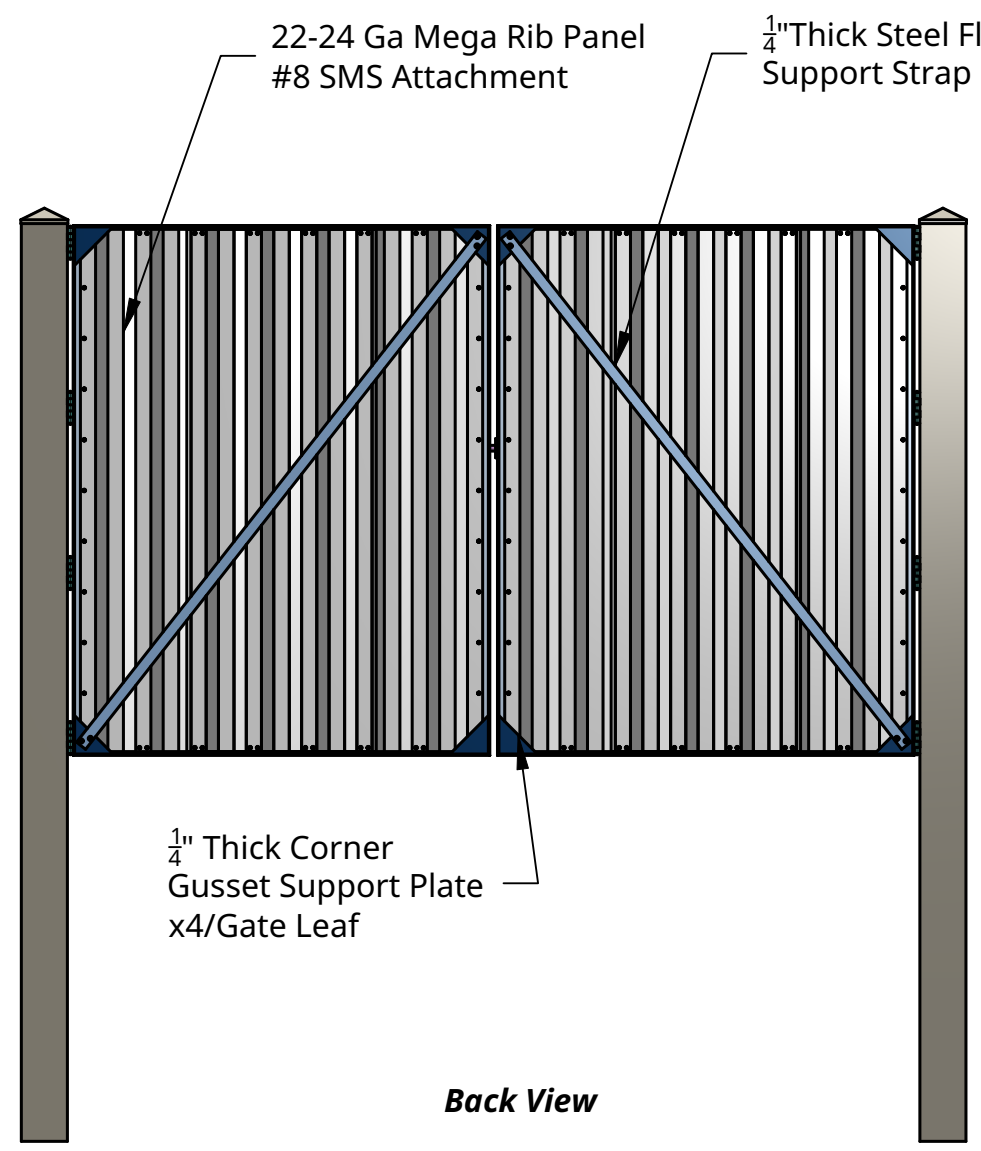
4" HD Zinc Plated
Steel Weld-on Hinge
x4/Gate Leaf

3" x 3" x $\frac{3}{16}$ "
Steel Angle Iron
Gate Frame

$\frac{3}{4}$ "
Hinge Gap

$\frac{3}{4}$ "
Hinge Gap

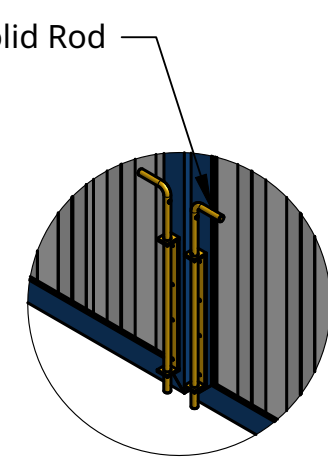
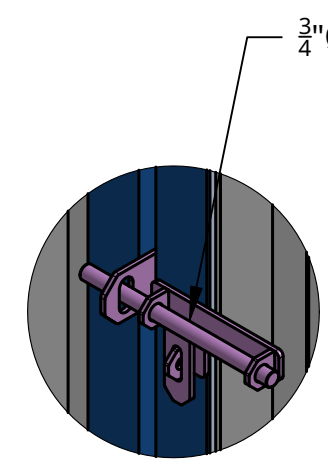
1"
Latch Gap




22-24 Ga Mega Rib Panel
#8 SMS Attachment

$\frac{1}{4}$ " Thick Steel Flat Bar
Support Strap

$\frac{1}{4}$ " Thick Corner
Gusset Support Plate
x4/Gate Leaf



$\frac{3}{4}$ " \varnothing Solid Rod

 <p>US ENCLOSURES</p> <p>17205 Eucalyptus St. Suite A-1 Hesperia, CA 92345 (760) 701-1941</p>	NAME	DATE	ITEM	
	DRAWN			Double Gate Spec Sheet (Standard Post)
	CHECKED			CUSTOMER
	APPROVED			
				LOCATION
	REVISION		SHEET	

4

3

2

1